



**NOCOMAX EASY®** is a device from **NOCOTECH®** range developed around a heating and ionizing turbine.

It spreads our disinfectants and insecticides products in the form of dry fog and thus uniformly reach each cm<sup>3</sup> of the treated premises.

Treat volumes from 500 to 20 000 m<sup>3</sup>.

## FEATURES

- Easily movable thanks to its wheels
- Robust
- Designed to be use in all environments incl. food industry
- Possibility of rotating nozzles

Nose of the diffuser (venturi x4)

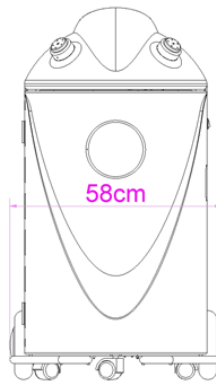
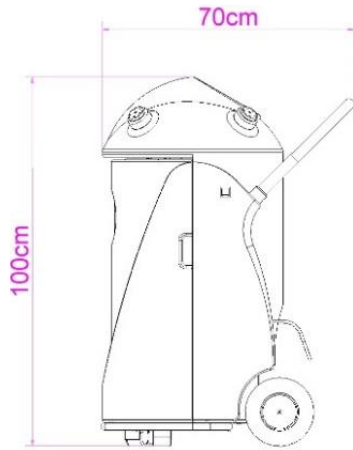


Handle

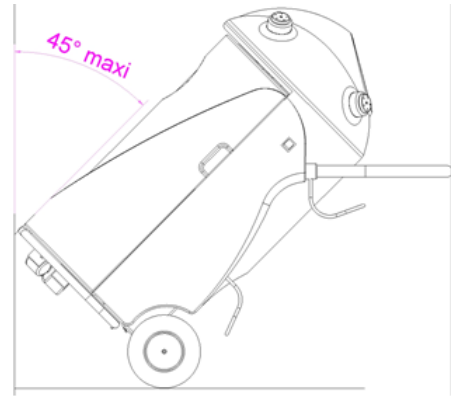


Touchpad

## DIMENSIONS



## MAXIMUM ANGLE



## REFERENCES

Item description	Reference
NOCOMAX EASY - volumes up to 20 000 m <sup>3</sup>	<b>3100.100</b>
NOCOMAX EASY WITH ROTATING NOZZLES - volumes de 500 a 20 000 m <sup>3</sup>	<b>3100.101</b>

## TECHNICAL CHARACTERISTICS

General characteristics	
Weight	43,4 Kg
Compatible bottle	20 L
Diffusion outputs	4
Rotation speed	22 000 trs/min
Maximum room volume to be treated	20 000 m <sup>3</sup>
Average flow of the liquid	6L/h

Conditions of use	
Temperature	Between 0°C and 50°C
Ambient humidity	Between 25% and 75%
Atmospheric pressure	800 to 1060 hPa

Electrical characteristics	
Voltage	230V mono + T
Power	2000W
Frequency	50 à 60 Hertz
Nominal intensity	9,5A

**ACCESSORIES**

To facilitate its use, the **NOCOMAX EASY®** can be associated with several accessories.  
 (Cf : NOCOTECH ACCESSORIES sheet)

**COMPATIBILITY (in 20 L container)**



**Disinfectants**

Item description	Reference
NOCOLYSE 20L	4000.020
NOCOLYSE FOOD 20L	4020.020
NOCOLYSE ONE SHOT 20L	4010.020



**Insecticides**

Item description	Reference
OXYPY 20L	4200.020
OXYPY + 20L	4230.020