



NOCOMAX® is a device from **NOCOTECH**® range developed around a heating and ionizing turbine.

It spreads our disinfectants and insecticides products in the form of dry fog and thus uniformly reach each cm³ of the treated premises.

Treat volumes from 500 to 20 000 m³.

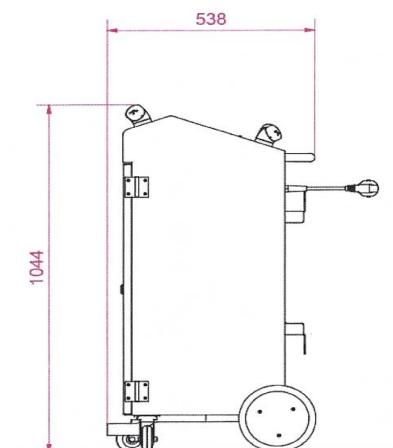
FEATURES

- Easily movable thanks to its wheels
- Robust
- Designed to be use in all environments incl. food industry
- Possibility of rotating nozzles

Nose of the diffuser (venturi x4)



DIMENSIONS



MAXIMUM ANGLE

REFERENCES

Item description	Reference
NOCOMAX - volumes up to 20 000 m ³	3100.1 0
NOCOMAX EASY WITH ROTATING NOZZLES - volumes de 500 a 20 000 m ³	3100.101

TECHNICAL CHARACTERISTICS

General characteristics	
Weight	4 Kg
Compatible bottle	20 L
Diffusion outputs	4
Rotation speed	22 000 trs/min
Maximum room volume to be treated	20 000 m ³
Average flow of the liquid	6L/h

Conditions of use	
Temperature	Between 0°C and 50°C
Ambient humidity	Between 25% and 75%
Atmospheric pressure	800 to 1060 hPa

Electrical characteristics	
Voltage	230V mono +
Power	2000W
Frequency	50 à 60 Hertz
Nominal intensity	9,5A

ACCESSORIES

To facilitate its use, the **NOCOMAX**® can be associated with several accessories
(Cf : NOCOTECH ACCESSORIES sheet)

COMPATIBILITY (in 20 L container)



Disinfectants

Item description	Reference
NOCOLYSE 20L	4000.020
NOCOLYSE FOOD 20L	4020.020
NOCOLYSE ONE SHOT 20L	4010.020



Insecticides

Item description	Reference
OXYPY 20L	4200.020
OXYPY + 20L	4230.020